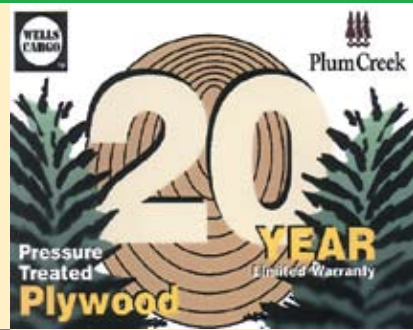


# Quality Construction — Always One Step Ahead



**◀ LED Exterior Lighting**  
LED lights are proven to be brighter for improved safety, more durable requiring less maintenance, and more efficient consuming 90% less power reducing the load on the tow vehicle's electrical system as compared to traditional incandescent or bulb style lights. Stop/Tail/Turn lights feature an exclusive wraparound design.



**◀ Pressure Treated Plywood Floor with 20 Year Limited Warranty**  
Extra rugged 3/4" MarineTech™ Pressure Treated Plywood (PTP) flooring is standard on all LS Series models. PTP floor backed by an exclusive 20 year limited warranty against decay, delamination, structural failure, and warpage. Long lasting protection.



Since 1954

## Landscape Trailers



**▶ Ramp Door & Corner Post Jacks**  
Full width hinge with free floating 3/4" steel pin. Stronger than strap hinges. Welded perimeter door frame with gussets at major stress points. Full length reinforcements prevent bowing. Spring assist cable(s) for safety. Rear corner post stabilizer jacks with steel tube post are coated in Zincdychromate for rust resistance.



Full Width Hinge with 3/4" Steel Pin

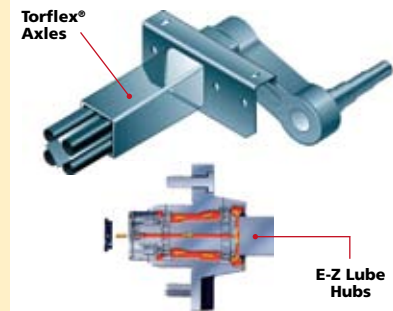
**▶ 12 Volt Electrical System**  
All 12-Volt wiring is completely weather protected with no direct exposure to the elements or road hazards. Starting at the sealed A-frame junction box, the molded, 4-wire cable is routed inside the tubular main rail. All brake wiring is run through a plastic conduit into a special welded channel on the axle.



Welded Protective Channel on Axle



**▶ Aluminum Anti-Rack Cam Lock**  
Commercial quality cast aluminum Cam Lock and stainless steel hasp deliver a long lasting, no-rust finish for the life of your trailer. Anti-Rack design (forked Cam with "T" shaped Keeper) forms a structural link between door header and footer reducing door movement, frame torque, and road vibration. Better seal compression to prevent moisture penetration.

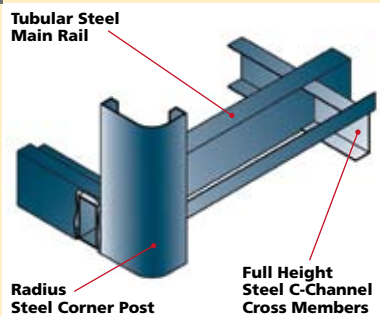


Torflex® Axles

E-Z Lube Hubs

**▶ Torflex® Rubber Ride Axles with E-Z Lube Hubs**  
Equipped with Torflex® rubber torsion suspension system with progressive torque action and independent wheel movement for maximum shock absorption and road stability. E-Z Lube hubs with outside grease fittings for bearing lubrication without disassembly. E-Coated wheels and brand name radial tires.

**▶ Superior Frame Construction**  
A Wells Cargo frame is a product of the industry's best engineering and designed to provide over 15 years of daily service. Heavy-duty tubular steel main rails and full height C-channel crossmembers deliver commercial grade durability. Radius steel corner posts, front and rear, extend to the bottom of the frame providing the maximum welding surface possible.



Radius Steel Corner Post

Full Height Steel C-Channel Cross Members

**▶ Corrosion Preventive Measures**  
Every Wells Cargo chassis is protected with a laboratory tested, Corrosion Preventive Compound (CPC), to deter the accumulation of rust. All exposed steel is painted with a state-of-the-art process including both a primer & urethane topcoat for a smooth, long lasting finish. Also, a special corrosion resistant barrier is applied between the steel frame and exterior aluminum skin to prevent electrolysis.



**▶ Solid Support Down The Road**  
After you make the decision to buy a Wells Cargo trailer, our commitment to you is not over. Our comprehensive 6-Year "Never Look Back" Warranty Program is more than just words. It's about how quickly and responsibly we respond to your needs. It's the peace-of-mind you get knowing your investment is protected by an established company with a solid reputation.



**▶ Look for the NATM Decal**  
Wells Cargo is a proud member of the National Association of Trailer Manufacturers (NATM). Their decal signifies compliance with established industry standards and manufacturing practices. It also certifies your Wells Cargo trailer meets all federal requirements including the Federal Motor Vehicle Safety Standards (FMVSS).



AUTHORIZED WELLS CARGO DEALER



## Green Industry Workhorse

©Wells Cargo, Inc. 2005 Form LS805R808



# LS Series Landscape Trailer



You're in a tough profession. It takes business savvy, determination, and a lot of hard work to succeed. Wells Cargo can help you out in the hard work department. From transporting all your tools of the trade to projecting a professional image, a Wells Cargo **LS Series** landscape trailer has the "right stuff" to get the job done. We're used to the punishment a work crew can dish out and we don't mind getting a little dirt under our treads. For that reason, all **LS Series** landscape trailers are built with plenty of muscle and backbone to spare. Think of your Wells Cargo **LS Series** landscape trailer as an investment in durable goods.

At Wells Cargo, we're dedicated to building the most reliable trailers on the road today and winning you over as a satisfied customer. Our reputation for long lasting durability stems from a heavy-duty steel frame that doesn't need pampering. No shortcuts. No cutting corners. Just the strongest frame construction available and customized the way you want it. Every **LS Series** landscape trailer is engineered to deliver hassle-free performance . . . day in and day out. It's no surprise that we can confidently tell you to plan on at least 15 years of carefree service.

## LS Series Includes:



- 3/8" Exterior Grade Plywood Sidewalls
- Heavy-Duty Anodized Aluminum Roof Cove
- Flow-Thru Side Vents
- Side Entry Door
- Rear Ramp Door with Spring Assist
- Slip Resistant Extruded Aluminum Ramp Edge Protector
- 3/4" Pressure Treated Plywood Floor
- 3/4" Pressure Treated Plywood Ramp Deck
- Corner Post Stabilizer Jacks
- Protective Barrier Between Floor and Sidewall
- Frame Crossmembers on 16" Centers
- Aluminum Tread Plate Fenders (Not available on certain models.)

- ATP Stone Guard
- Spare Tire Carrier
- Spare Tire & Wheel
- Tire Cover
- Fuel Rack (Not included in LS Series. See Tool Organizer Package.)
- First Aid Kit
- 12 Volt Dome Light
- Wall Switch

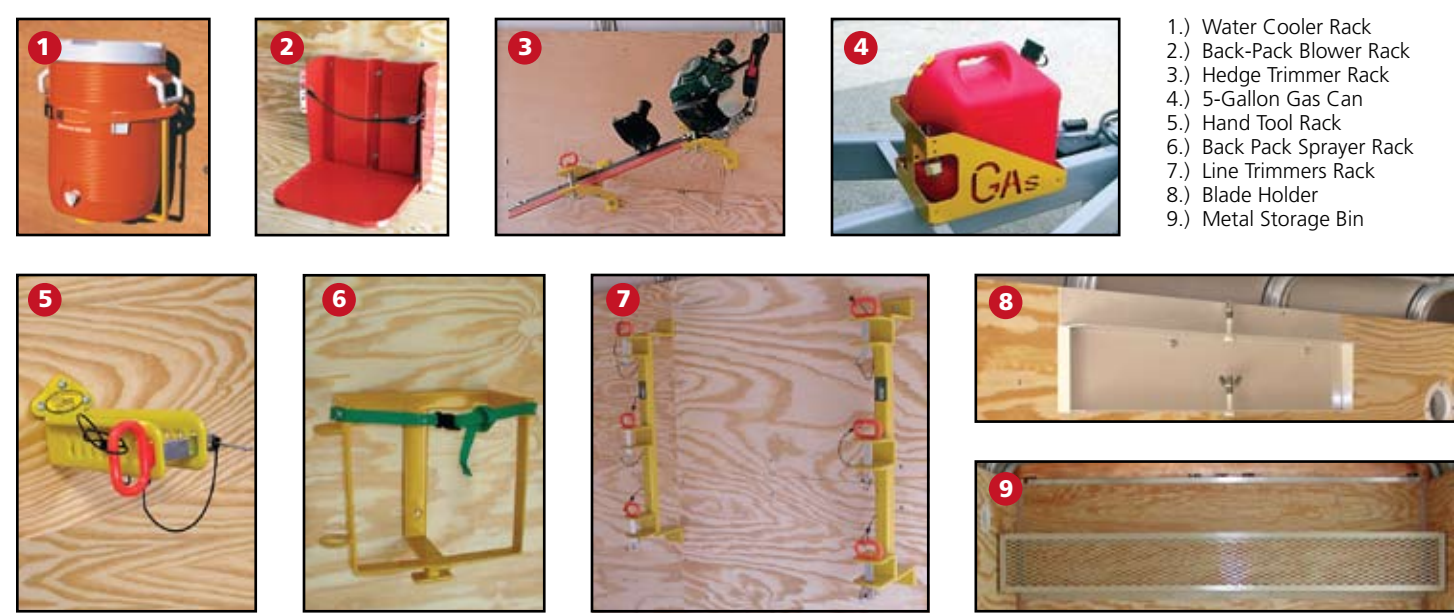


# Customizing Options



- Floor Tie-Off
- AlumaSport™ Wheel
- Ramp Door Extension
- ATP Wall Guard and 1 1/2" T & G Flooring
- Workbench with Overhead Cabinets
- Wall Tie-Off
- Cargo Control Systems (E-Track)
- High Security Cam Lock
- Document Holder
- LED Amber Strobe Safety Light Package  
This recommended option provides increased safety on the job site. The LED Amber Strobes, mounted on the rear end cap, are activated whenever the rear ramp door is in the lowered (open) position.
- Plunger Switch located on rear ramp door frame triggers LED Strobes

## Tool Organizer Package



- 1.) Water Cooler Rack
- 2.) Back-Pack Blower Rack
- 3.) Hedge Trimmer Rack
- 4.) 5-Gallon Gas Can
- 5.) Hand Tool Rack
- 6.) Back Pack Sprayer Rack
- 7.) Line Trimmers Rack
- 8.) Blade Holder
- 9.) Metal Storage Bin

Trailers shown feature optional equipment available at additional charge. Specifications, features and available options subject to change without notice.